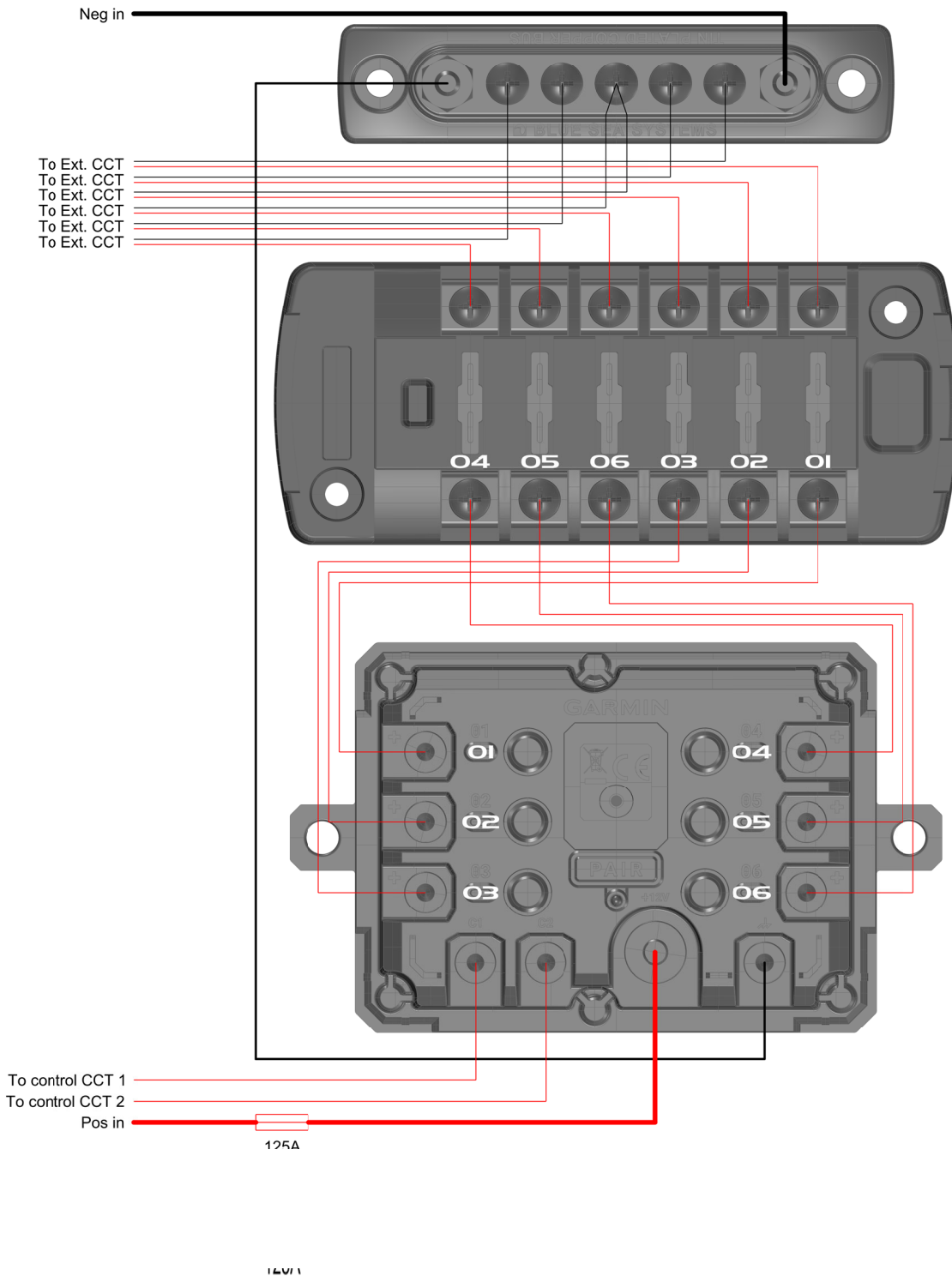


DIGITAL SWITCHING ACCESSORIES PANEL



Cable sizing information

25mm² cable for incoming Negative to match sup cable, however, can be changed depending on ci

External circuits all to be sized according to load
Forexample, a 3m run for a 10A lighting circuit w 2.5mm² cable. Please refer to relevant standards for more information.

Garmin Powerswitch module is rated for a max load of 30A per circuit or 100A as a unit total.

Drawing current as of 17/02/2023

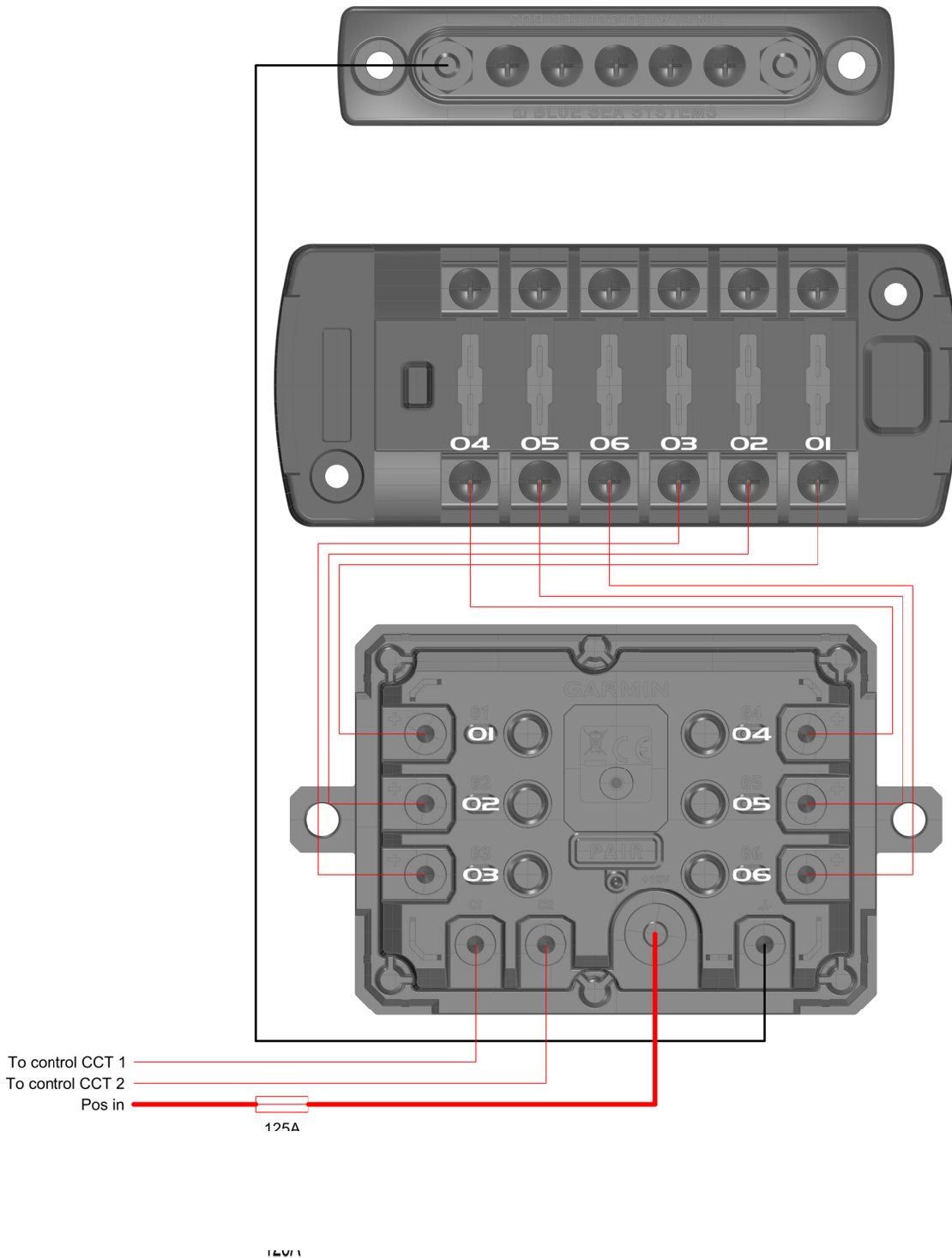
DSAP Wiring - No Sockets

Cable Sizes



Enerdrive and Installer Wiring

DIGITAL SWITCHING ACCESSORIES PANEL






Cable sizing information

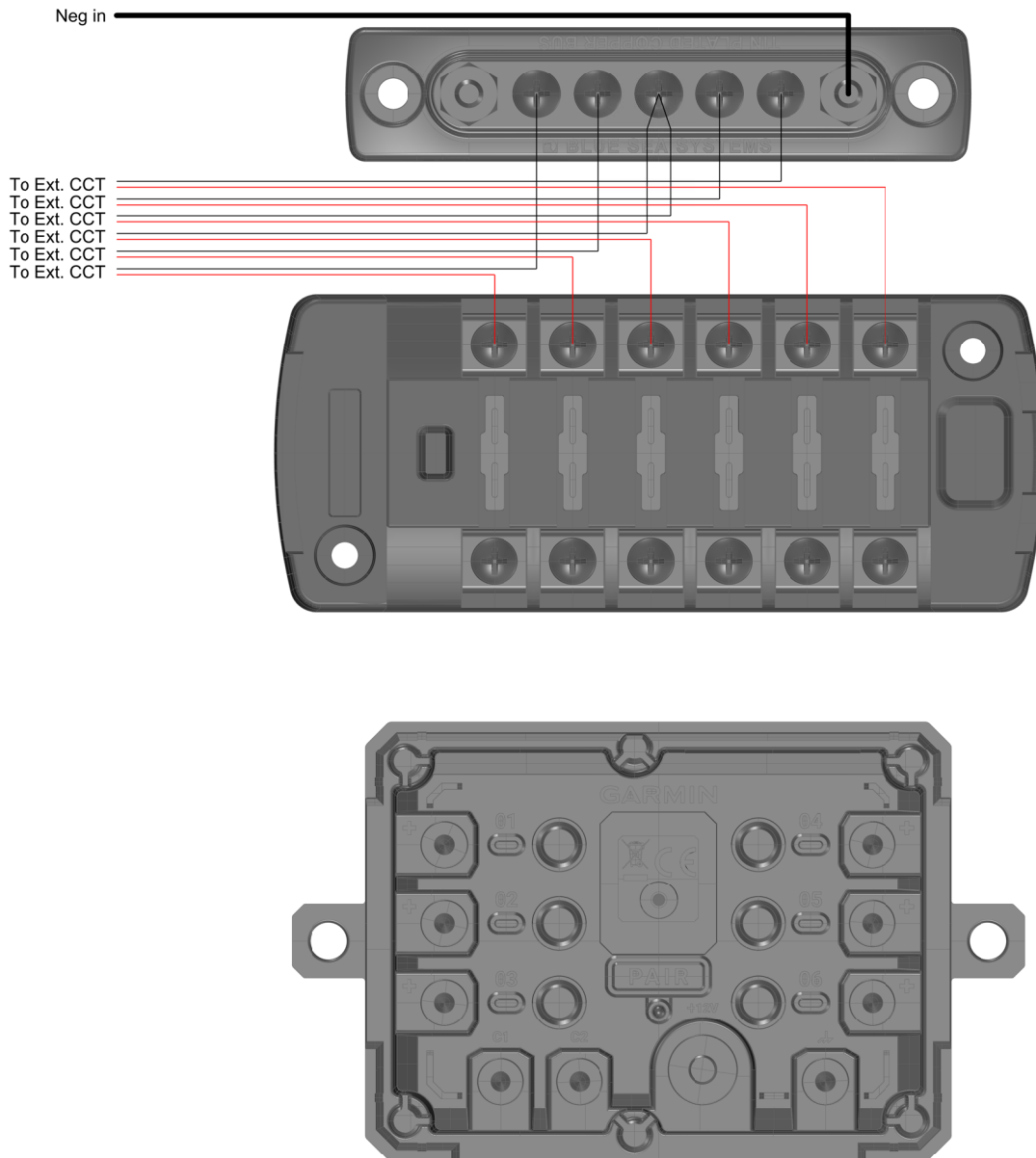
25mm² cable for incoming Negative to match sup cable, however, can be changed depending on ci

External circuits all to be sized according to load
Forexample, a 3m run for a 10A lighting circuit w 2.5mm² cable. Please refer to relevant standards for more information.

Garmin Powerswitch module is rated for a max load of 30A per circuit or 100A as a unit total.

Drawing current as of 17/02/2023		Cable Sizes	
DSAP Wiring - No Sockets	Enerdrive Wiring	 25mm ²	 4mm ²
		 2.9mm ²	

DIGITAL SWITCHING ACCESSORIES PANEL






Cable sizing information

25mm² cable for incoming Negative to match supplied Positive cable, however, can be changed depending on circuit needs.

External circuits all to be sized according to load requirements. For example, a 3m run for a 10A lighting circuit would require a 2.5mm² cable. Please refer to relevant standards for more information.

Garmin Powerswitch module is rated for a max load of 30A per circuit or 100A as a unit total.

		Cable Sizes		
Drawing current as of 17/02/2023		25mm ²		4mm ²
		2.9mm ²		
DSAP Wiring - No Sockets		Installer Wiring		