

# Dual ePOWER AC battery chargers in parallel.

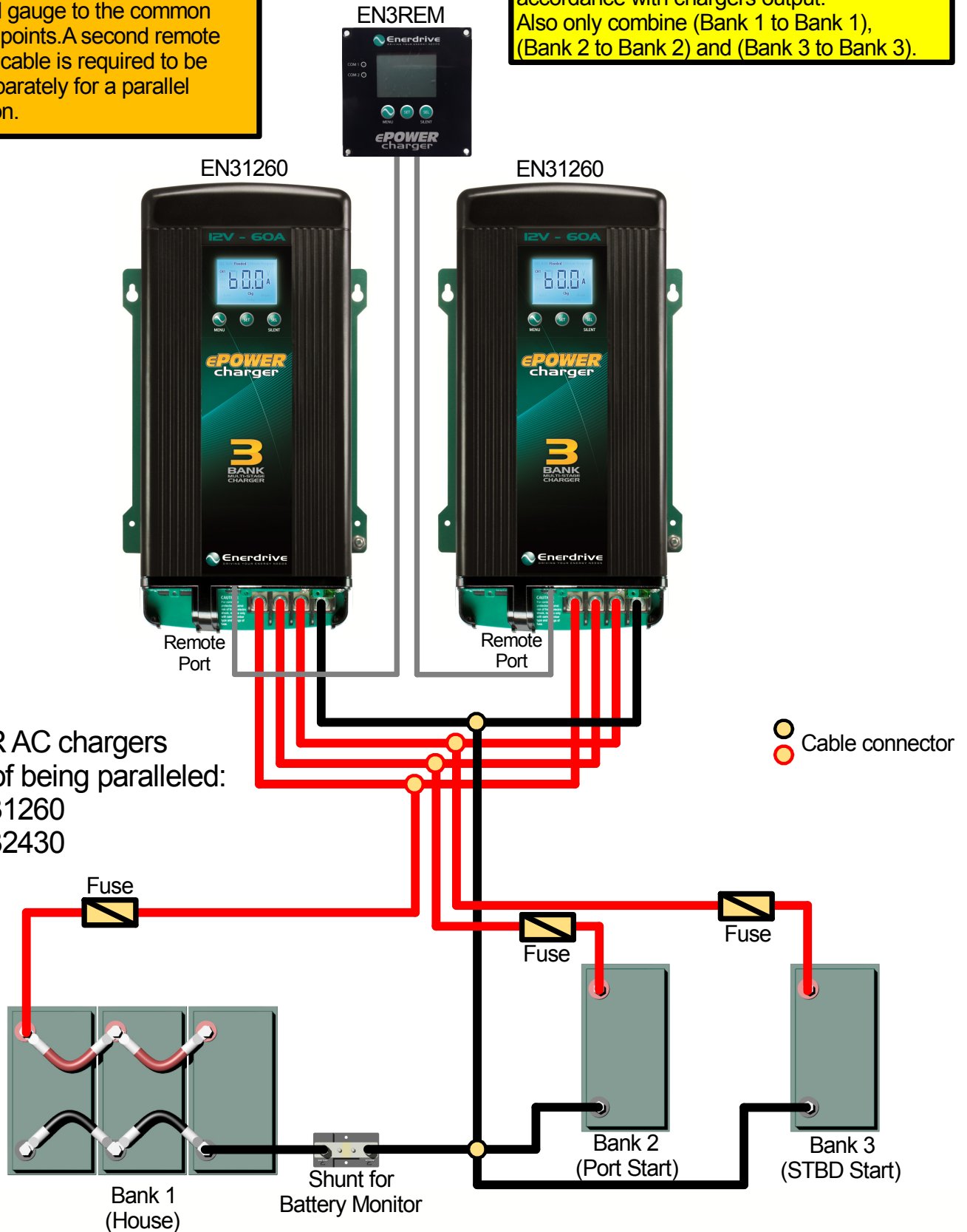


**Enerdrive**  
DRIVING YOUR ENERGY NEEDS

Chargers must be of the same size i.e. 2 x EN31260. Cable length from each charger must be of equal lengths and gauge to the common connection points. A second remote connection cable is required to be ordered separately for a parallel configuration.

## WARNING!

Battery cables should be sized and fused in accordance with chargers output. Also only combine (Bank 1 to Bank 1), (Bank 2 to Bank 2) and (Bank 3 to Bank 3).



NOTE: Enerdrive Provides this drawing as a reference only and fusing and cable sizing needs to meet local requirements.