



Enerdrive

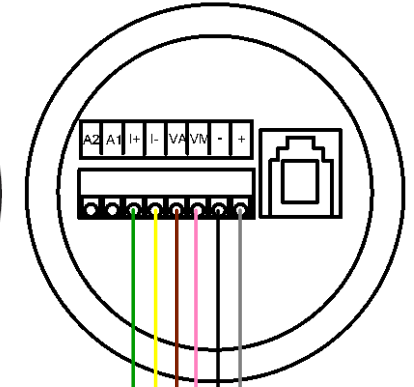
DRIVING YOUR ENERGY NEEDS

Shunt/
Battery

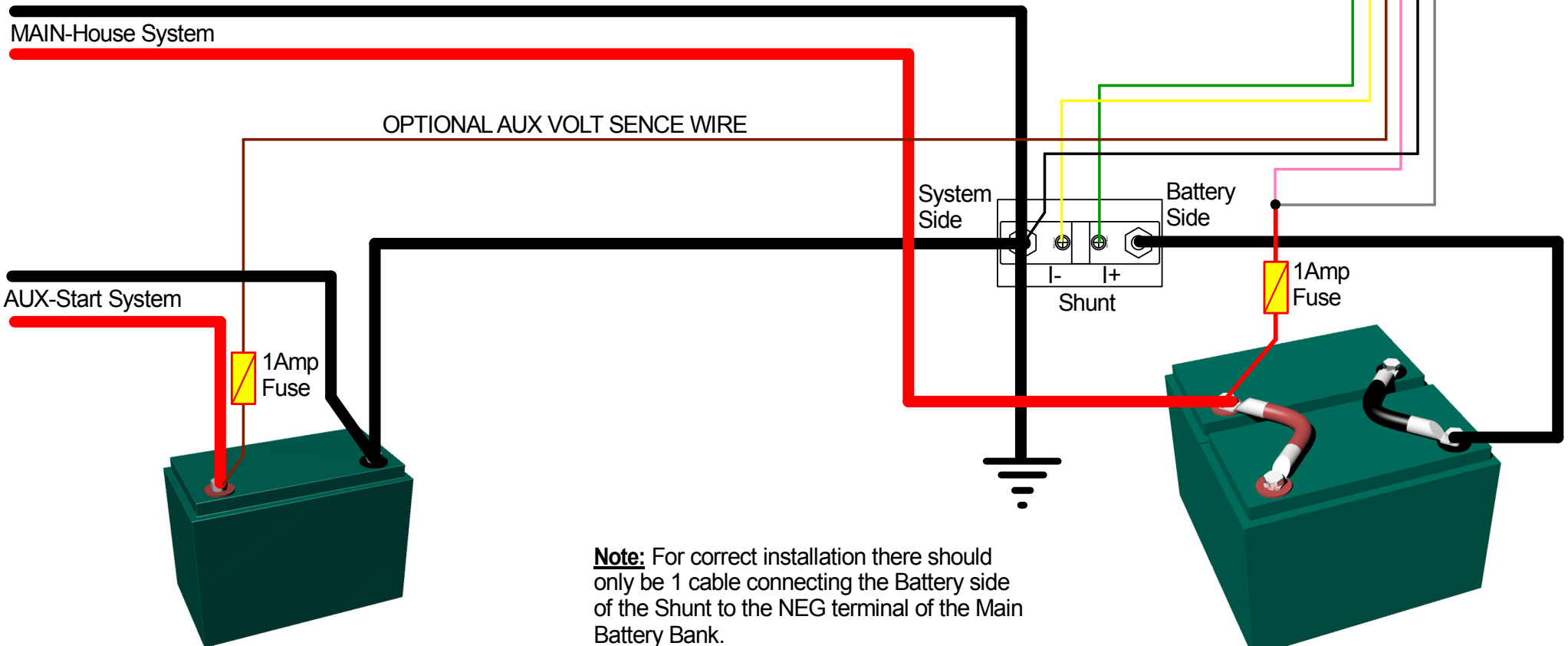


(Green) Battery Side Sense Wire	(Green) I+
(Yellow) System Side Sense Wire	(Yellow) I-
(Brown) AUX +Volt Sense Wire 1Amp Fuse (AUX Battery)	(Brown) VA
(Pink) Main +Volt Sense Wire (Main Battery)	(Pink) VM
(White) Battery Monitor NEG (System side of Shunt)	(White) -
(Gray) Battery Monitor POS + (Main Battery)	(Gray) +

Battery
Monitor



Twisted pair!



AUX/Start Bank
(Note: Image Show 1 x 12v Battery)

Note: For correct installation there should only be 1 cable connecting the Battery side of the Shunt to the NEG terminal of the Main Battery Bank.
"ALL" other NEG/Earth bonding wires must be connected to the System side of the Shunt.

Main/House Bank
(Note: Image Show 2 x 12v Batteries in Parrallel)